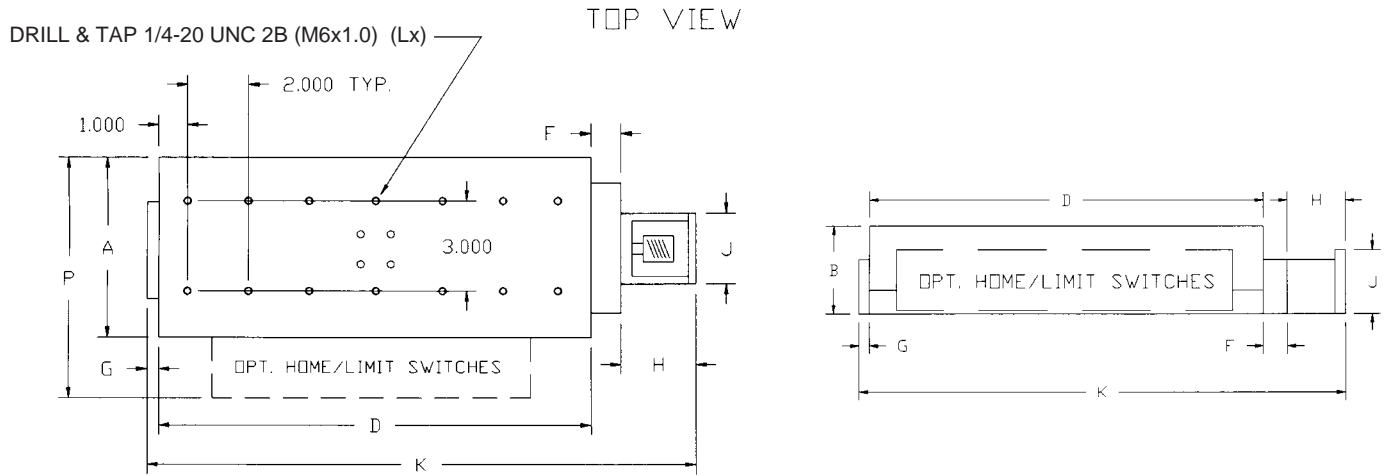


MLP6 SERIES LINEAR POSITIONING STAGES



X = "B" FOR GROUND BALLSCREW (.0003"/FT ACCURACY GRADE); "U" FOR UNIVERSAL LEADSCREW (.0004"/FT ACCURACY GRADE);

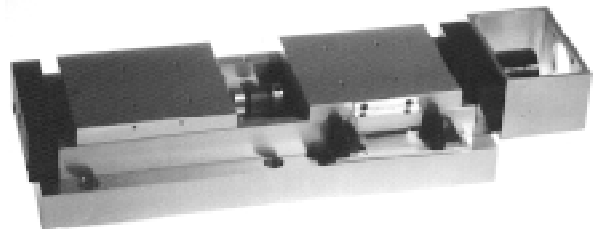
MODEL	A WIDTH	B HEIGHT	C TRAVEL	D PLL	F MEP	G OEP	H MML	J MMW
MLP6-8-4/X***	6.00 152.4	3.00 76.2	4.00 101.6	8.00 203.2	1.00 25.4	0.38 9.5	2.25 57.2	2.25 57.2
MLP6-10-6/X***	6.00 152.4	3.00 76.2	6.00 152.4	10.00 254.0	1.00 25.4	0.38 9.5	2.25 57.2	2.25 57.2
MLP6-12-8/X***	6.00 152.4	3.00 76.2	8.00 203.2	12.00 304.8	1.00 25.4	0.38 9.5	2.25 57.2	2.25 57.2
MLP6-14-10/X***	6.00 152.4	3.00 76.2	10.00 254.0	14.00 355.6	1.00 25.4	0.38 9.5	2.25 57.2	2.25 57.2
MLP6-16-12/X***	6.00 152.4	3.00 76.2	12.00 304.8	16.00 406.4	1.00 25.4	0.38 9.5	2.25 57.2	2.25 57.2
MLP6-20-16/X***	6.00 152.4	3.00 76.2	16.00 406.4	20.00 508.0	1.00 25.4	0.38 9.5	2.25 57.2	2.25 57.2
MLP6-24-20/X***	6.00 152.4	3.00 76.2	20.00 508.0	24.00 609.6	1.00 25.4	0.38 9.5	2.25 57.2	2.25 57.2
MLP6-28-24/X***	6.00 152.4	3.00 76.2	24.00 609.6	28.00 711.2	1.00 25.4	0.38 9.5	2.25 57.2	2.25 57.2

*** = 15mm OD GROUND BALLSCREW THREAD LEAD: .100", .200", 5mm, 10mm, 20mm LEAD

*** = 1/2" OD UNIVERSAL LEADSCREW THREAD LEAD: .025", .050", .100", .200", .400", .800", 1mm, 2mm, 5mm LEAD

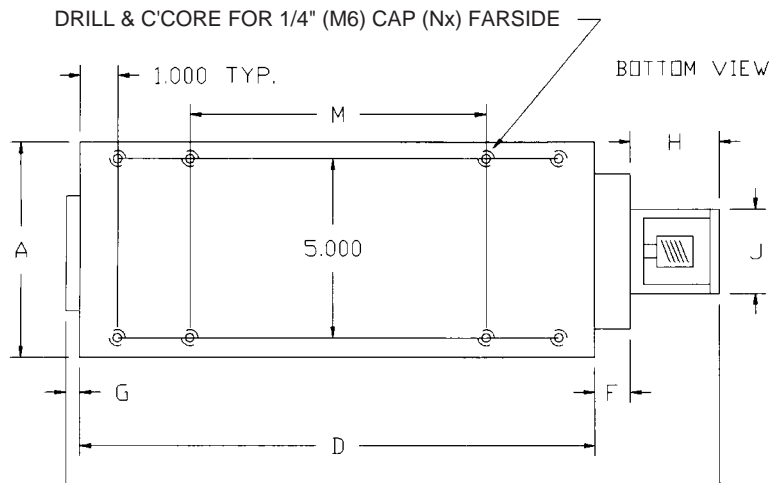
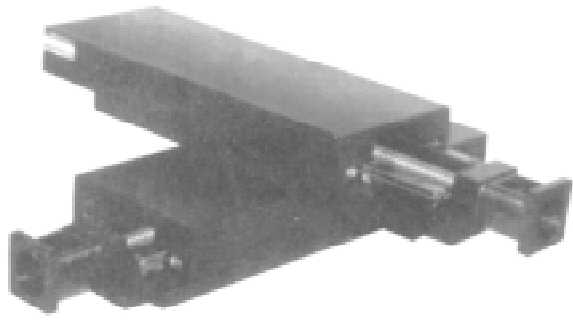
*** = 5/8" OD LEADSCREW THREAD LEAD = .100", .200", .500", 4mm LEAD

ALUMINUM MOUNTING PLATES, CLEAR ANODIZE FINISH, NEMA 23 SIZE MOTOR MOUNT AND FLEXIBLE COUPLING SUPPLIED AS STANDARD
 OPTIONS: SIDE MOUNTED OPTICAL OR MAGNETIC HOME/LIMIT SWITCHES, METRIC/CUSTOM MOUNTING PROVISIONS, BLACK ANODIZE,
 ELECTROLESS NICKEL PLATE



MLP6 SERIES LINEAR POSITIONING STAGES

ALM



"L" FOR ROLLED ACME LEADSCREW (.003"/FT ACCURACY GRADE)

K OAL	L # TH	M H SP	N # CB	P W LS	RAILSET	MAX* CC (LBS)	MODEL
11.63 295.3	8		4	7.5 190.5	RS236-08P/17	432	MLP6-8-4/X***
13.63 346.1	10		4	7.5 190.5	RS236-10P/20	504	MLP6-10-6/X***
15.63 396.9	12		4	7.5 190.5	RS236-12P/23	576	MLP6-12-8/X***
17.63 447.7	14	6.0 152.4	8	7.5 190.5	RS236-14P/26	672	MLP6-14-10/X***
19.63 498.5	16	8.0 203.2	8	7.5 190.5	RS236-16P/29	768	MLP6-16-12/X***
23.63 600.1	20	10.0 254.0	8	7.5 190.5	RS236-20P/34	912	MLP6-20-16/X***
27.63 701.7	24	12.0 304.8	8	7.5 190.5	RS236-24P/41	1080	MLP6-24-20/X***
31.63 803.3	28	14.0 355.6	8	7.5 190.5	RS236-28P/47	1248	MLP6-28-24/X***

HORIZONTAL ATTITUDE NO-LOAD TORQUE REQUIREMENTS (BALLSCREW & UL): BREAKAWAY = 8-16 OZ/IN;
CONSTANT SPEED = 8-14 OZ/IN.

HORIZONTAL ATTITUDE NO-LOAD TORQUE REQUIREMENTS (LEADSCREWS): BREAKAWAY = 10-24 OZ/IN; CONSTANT SPEED = 6-20 OZ/IN
CRITICAL SPEED LIMIT: BALLSCREWS/LEADSCREWS = 4000 RPM'S; UNIVERSAL LEADSCREWS = 1200 RPM'S

* MAXIMUM LOAD CALCULATION INCLUDES SAFETY FACTOR AND AXIAL FORCES.

